

► TWF Pile Chamber Systems

■ Pile Chamber Box Type 100 and Type 400

- Working width:: 0,66 - 4,77 m
- Working width:: 0,90 - 5,14 m
- Working width: variabel



End hooks for steel walings

Panel length PL (m)	Panel height PH (m)	PC-length PCL (m)	Quantity Trench sheets (n / panel)	Permissible beam load (kN/m)	Weight Panel (kg)	Weight Box (kg)
---------------------	---------------------	-------------------	------------------------------------	------------------------------	-------------------	-----------------

► PC Type 100 with **light weight spindle** „B“ + Trench sheets KD 4

2,00	0,60	1,70	5	45,70	260	594
2,40	0,60	2,10	6	30,56	307	688
2,80	0,60	2,50	7	21,86	350	774

► PC Type 400 with **standard spindle** + Trench sheets KD 6

2,30	1,00	2,10	4	200	533	1326
2,80	1,00	2,60	5	133	628	1516
3,40	1,00	3,20	6	90	738	1736
3,90	1,00	3,70	7	68	833	1926
4,40	1,00	4,20	8	135	1306	2876
4,90	1,00	4,70	9	109	1448	3156
5,90	1,00	5,70	10	74	1708	3676

► Other lengths on request!

Spindle Type	WW (m) KD 4	WW (m) PC	TW (m) PC	Char. compressive axial force F _k (kN)	Weight (kg)
--------------	-------------	-----------	-----------	---	-------------

► PC Type 100 with **light weight spindle** A bis F + Trench sheets KD 4

A	0,66 - 0,86	0,53 - 0,73	0,90 - 1,10	146	13,7
B	0,84 - 1,20	0,71 - 1,07	1,08 - 1,44	135	16,4
C	1,18 - 1,78	1,05 - 1,65	1,42 - 2,02	106	20,4
D	1,63 - 2,23	1,50 - 2,10	1,87 - 2,47	84	23,0
E	2,01 - 2,61	1,88 - 2,48	2,25 - 2,85	62	25,3
F	2,61 - 3,21	2,48 - 3,08	2,85 - 3,45	81	48,9

Number intermediate pipe	WW (m) Trench sheets KD 6	WW (m) PC up to length 4,00 m	WW (m) PC from length 4,50 m	TW (m) PC up to length 4,00 m	TW (m) PC from length 4,50 m	Char. compressive axial force F _k (kN)	Weight (kg)
--------------------------	---------------------------	-------------------------------	------------------------------	-------------------------------	------------------------------	---	-------------

► DK Type 400 with **standard spindle** + Trench sheets KD 6

0	1,00 - 1,27	0,77 - 1,03	0,64 - 0,91	1,34 - 1,60	1,37 - 1,64	943	65
1	1,50 - 1,77	1,27 - 1,53	1,14 - 1,41	1,84 - 2,10	1,87 - 2,14	673	86
2	2,00 - 2,27	1,77 - 2,03	1,64 - 1,91	2,34 - 2,60	2,37 - 2,64	517	107
3	2,50 - 2,77	2,27 - 2,53	2,14 - 2,41	2,84 - 3,10	2,87 - 3,14	269	128
4	3,00 - 3,27	2,77 - 3,03	2,64 - 2,91	3,34 - 3,60	3,37 - 3,64	202	149
5	3,50 - 3,77	3,27 - 3,53	3,14 - 3,41	3,84 - 4,10	3,87 - 4,14	165	170
6	4,00 - 4,27	3,77 - 4,03	3,64 - 3,91	4,34 - 4,60	4,37 - 4,64	121	191
7	4,50 - 4,77	4,27 - 4,53	4,14 - 4,41	4,84 - 5,10	4,87 - 5,14	99	212

► TWF Pile Chamber Systems

■ Pile Chamber Type 400 - Slide Rail System

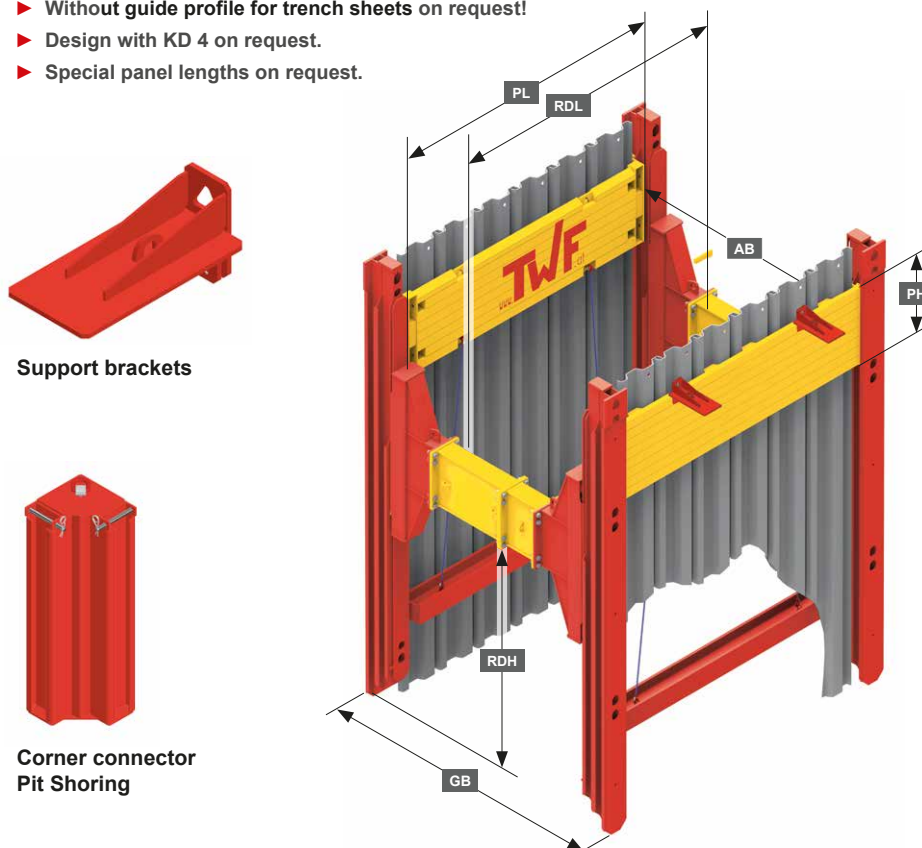
- Combined System (panels and trench sheets) applicable where **supply lines are crossing**
- Available as **Slide Rail System** and as **Pile Chamber Box**
- Working width: see section slide rails - pages 18 - 23
- Trench width: see section slide rails - pages 18 - 23
- Pipe clearance height: **variabel**

Panel length PL (m)	Panel height PH (m)	PC-length PCL (m)	Quantity Trench sheets (n / panel)	Permissible beam load (kN/m)	Weight Panel (kg)
---------------------	---------------------	-------------------	------------------------------------	------------------------------	-------------------

► PC Typ 400 for **slide rails** + Trench sheets KD 6

2,00	1,00	1,80	3	223,1	480
2,50	1,00	2,20	4	169,5	565
3,00	1,00	2,70	5	116,0	660
3,50	1,00	3,30	6	80,5	770
4,00	1,00	3,80	7	61,5	865
4,50	1,00	4,30	8	123,6	1340
5,00	1,00	4,80	9	100,0	1480
6,00	1,00	5,80	10	69,3	1740
7,00	1,00	6,80	12	62,0	2353

- Without guide profile for trench sheets on request!
- Design with KD 4 on request.
- Special panel lengths on request.



PH	Panel height
TW	Trench width
WW	Working width
PT	Panel thickness
PCH	Pipe clearance height
PL	Panel length
PCL	Pipe clearance length