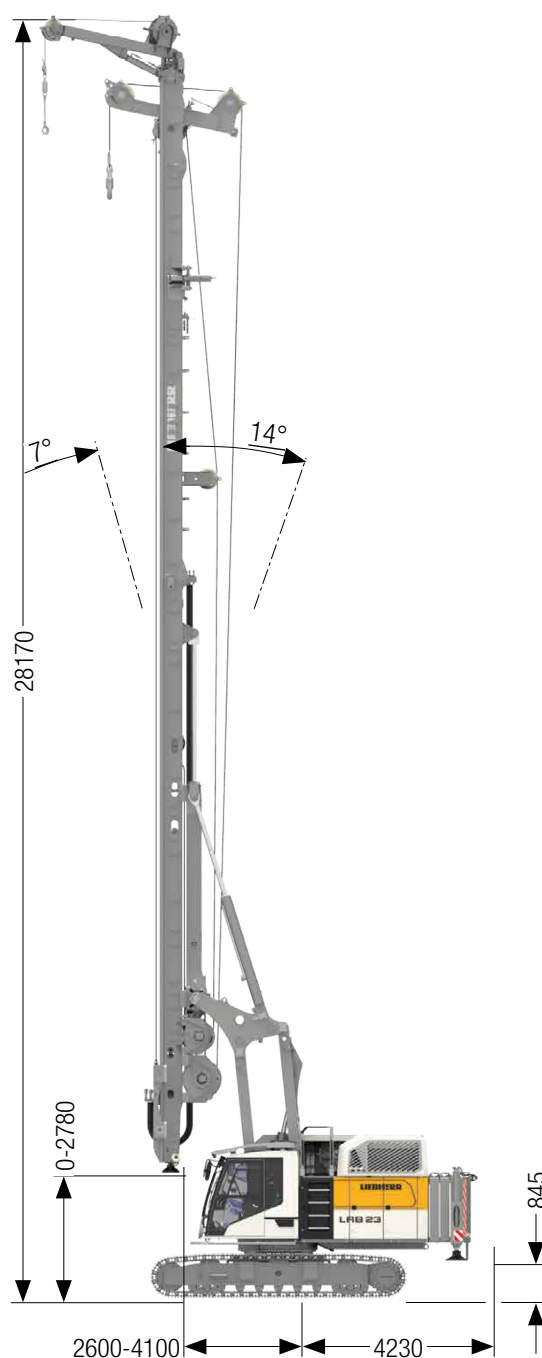


► Piling and drilling

■ LIEBHERR LRB 23

Technical data	LRB 23
Overall height	28170 mm
Operating weight	72,6 - 78,5 to
Leader inclination front	7 degrees max.
Leader inclination rear	14 degrees max.
Leader inclination laterally	7 degrees max.
Crowd winch	
Crowd force (push/pull)	320 kN
Line pull effective	160 kN
travel path 22m/27m main leader	20 m
Rope speed	0-88 m/min
Main winch	
Line pull effective (1st layer)	230 kN
Rope diameter	28 mm
Rope speed	0-80 m/min
Auxiliary winch	
Line pull effective (3rd layer)	50
Rope diameter	17 mm
Rope speed	0-87 m/min
Swing range left	180 degrees max.
Swing range right	90 degrees max.
Radius adjustment device	2045 mm



► LIEBHERR LRB 23 Piling-drilling rig

Technical data

LRB 23

Engine

Rated output ISO 9249 (1700 rpm)	600 kW
Engine conforms to Exhaust Emission Standard	EU 2016/1628 Stage V EPA/Carb Tier 4F
Engine Type	Liebherr D 976 A1-04
Fuel Tank	800 Liter

Hydraulicsystem

Max. working pressure	400 Bar
Hydraulic oil tank capacity	725 Liter
Flowrates (For attachments)	3x 320, 2x 320 L/min
Flowrates (For kinematics)	166 L/min

Crawlers

Drive System	Axialkolbenmotoren
--------------	--------------------

Undercarriage type 205

Drive speed	0-1,6 km/h
Track force	660 kN
Grousers	800 mm

Undercarriage type 225

Drive speed	0-1,65 km/h
Track force	647 kN
Grousers	800 mm

